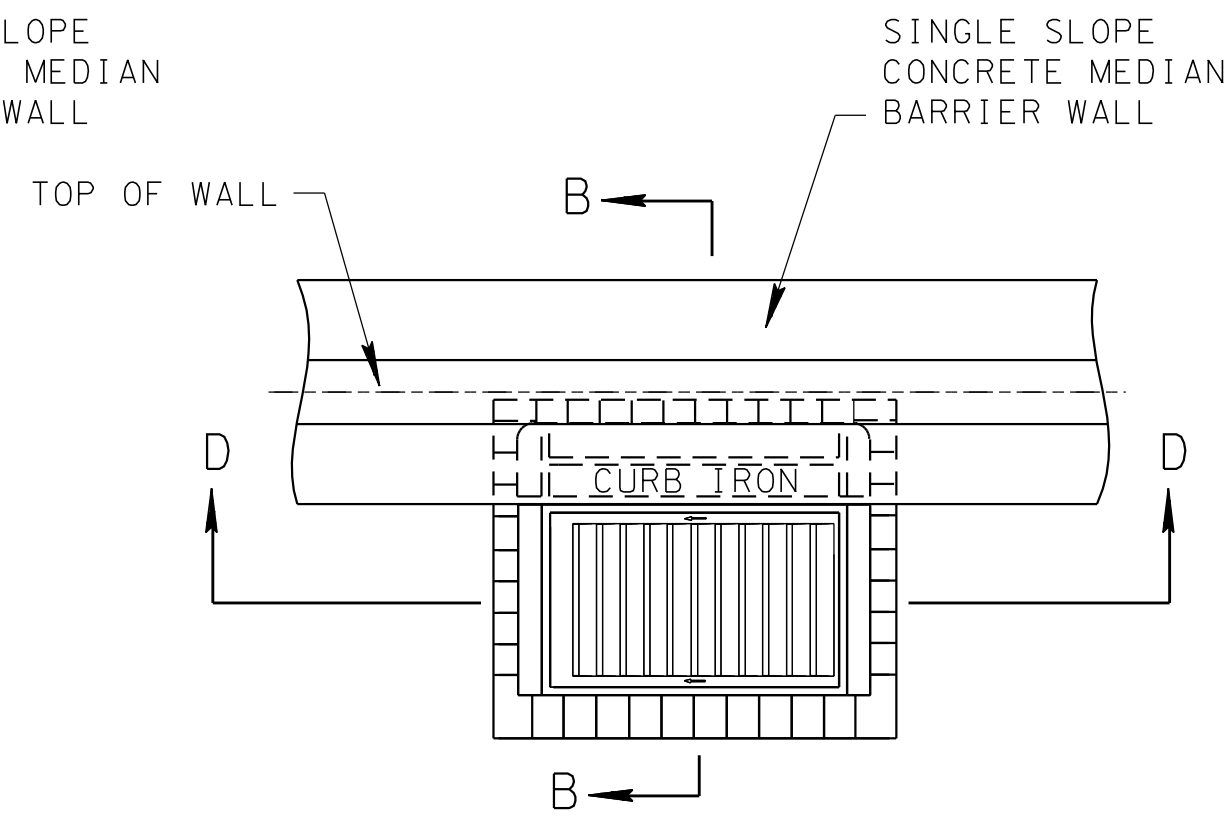
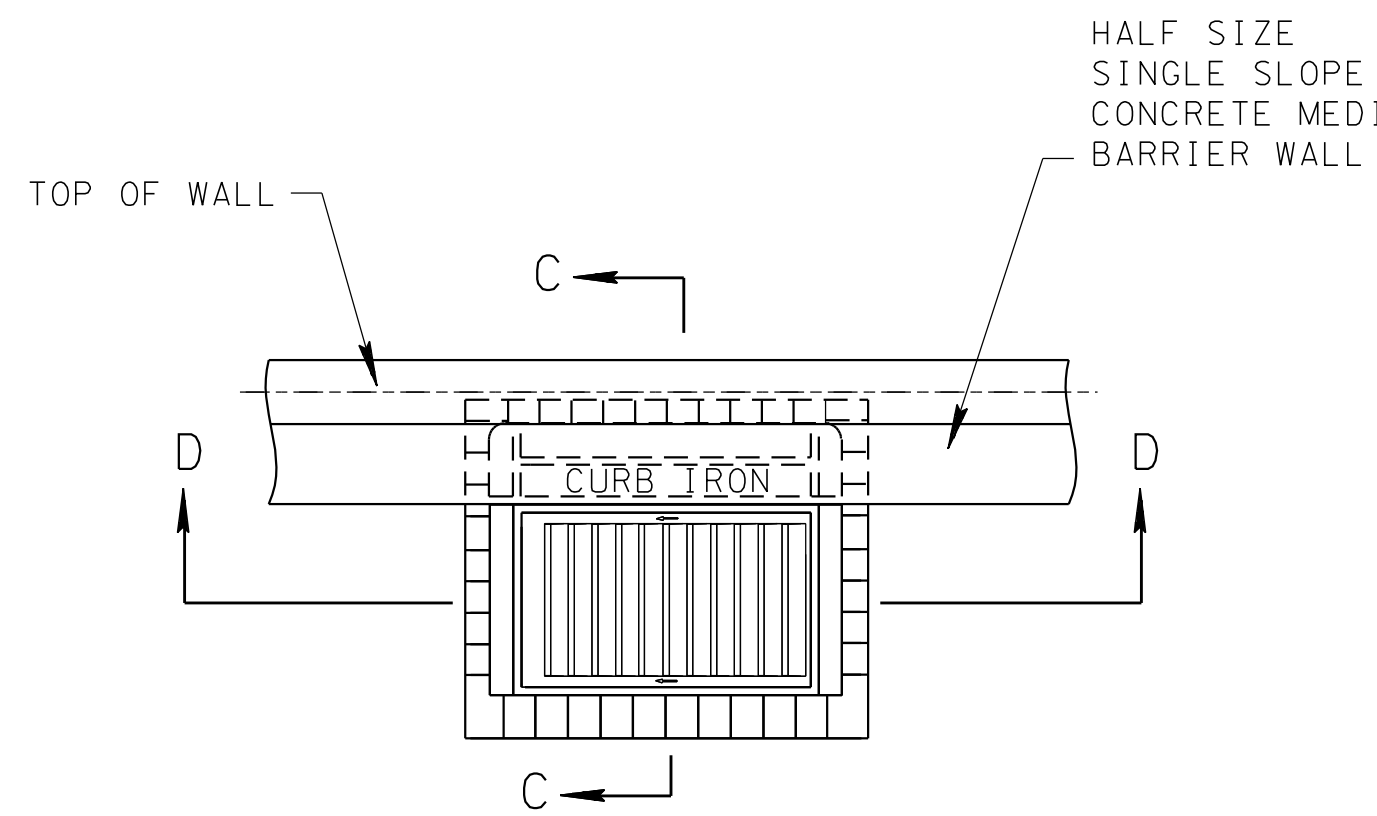


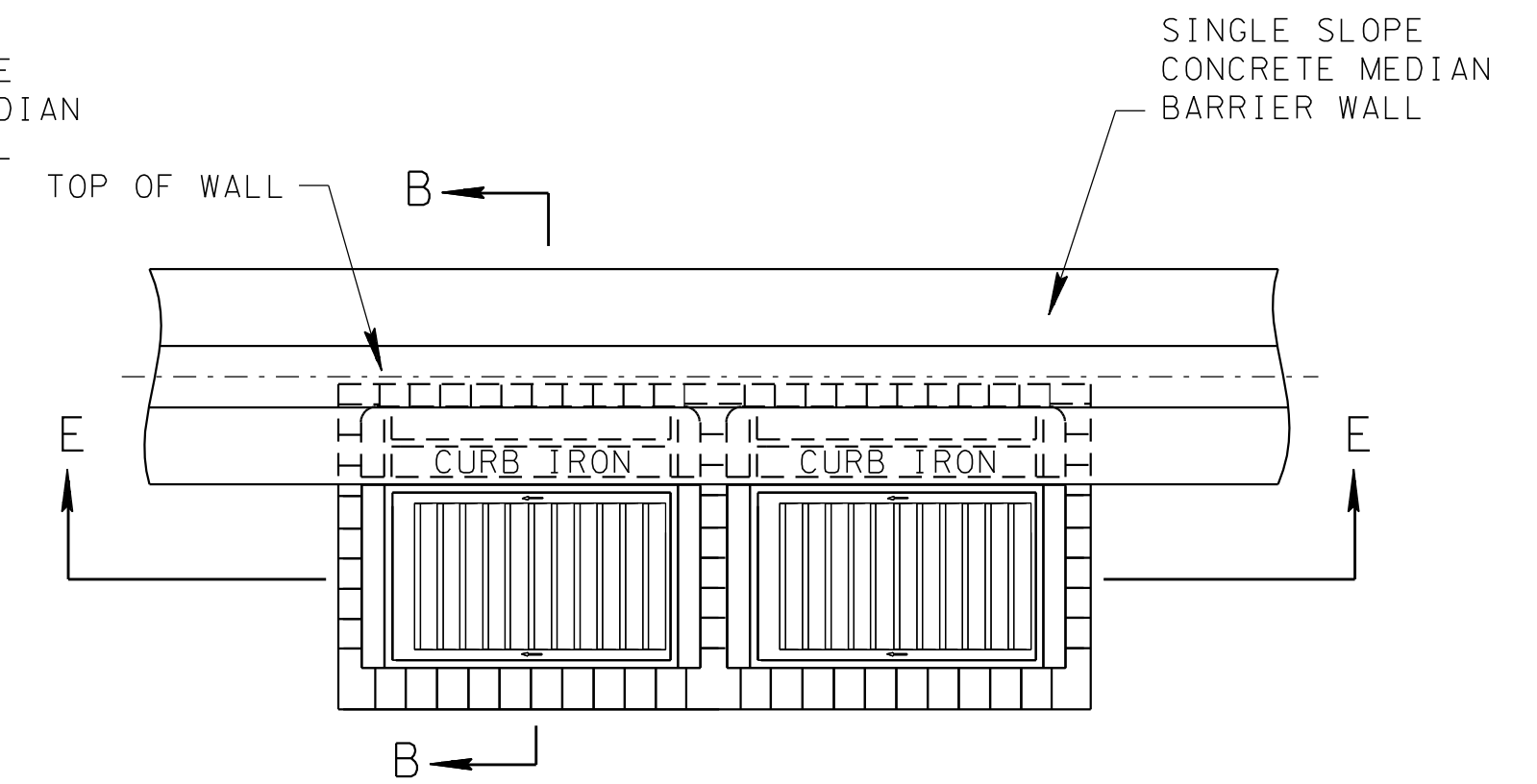
PLAN VIEW
NO. 31, NO. 32, AND
NO. 46 CATCH BASINS



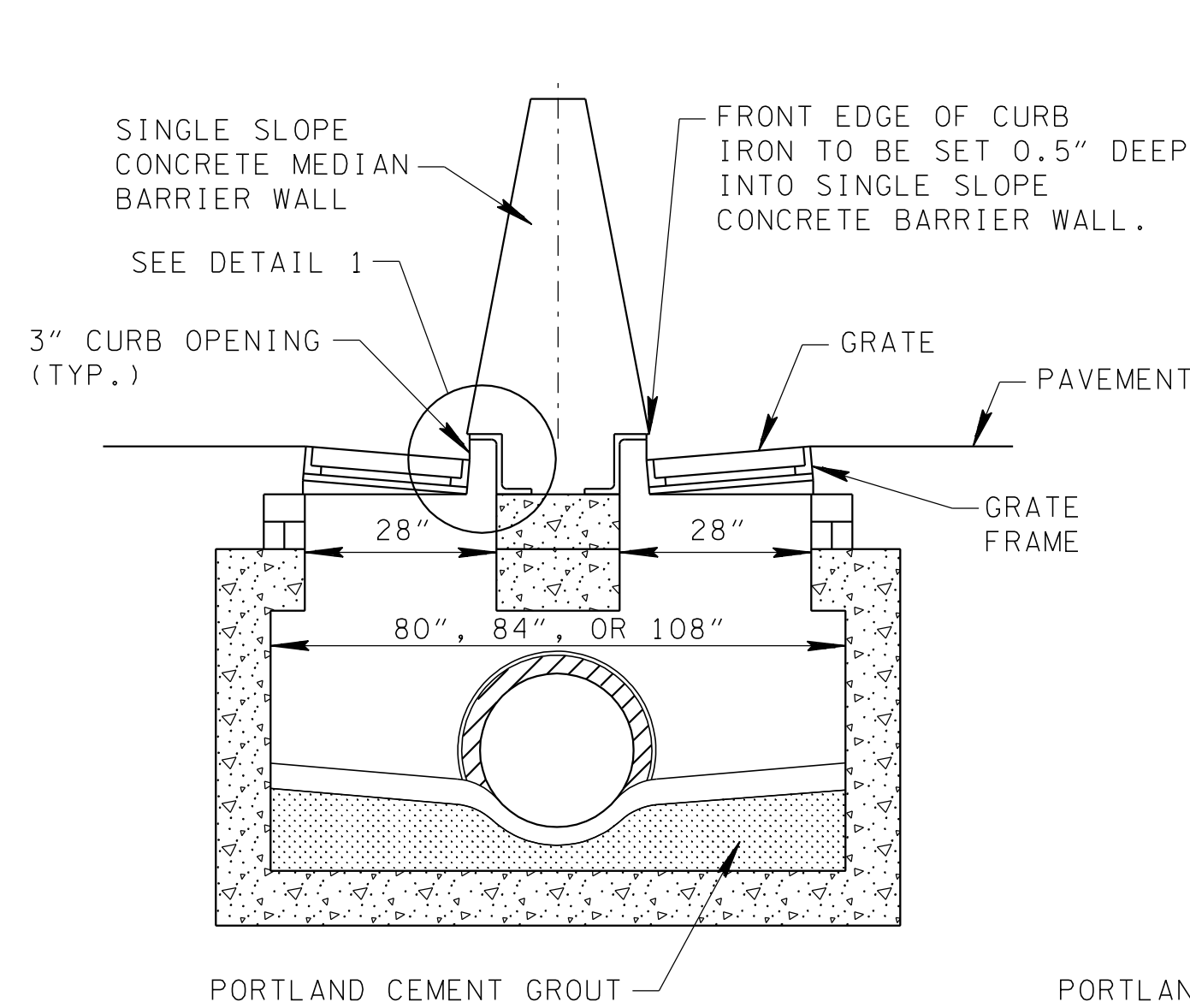
PLAN VIEW
NO. 41 CATCH BASINS



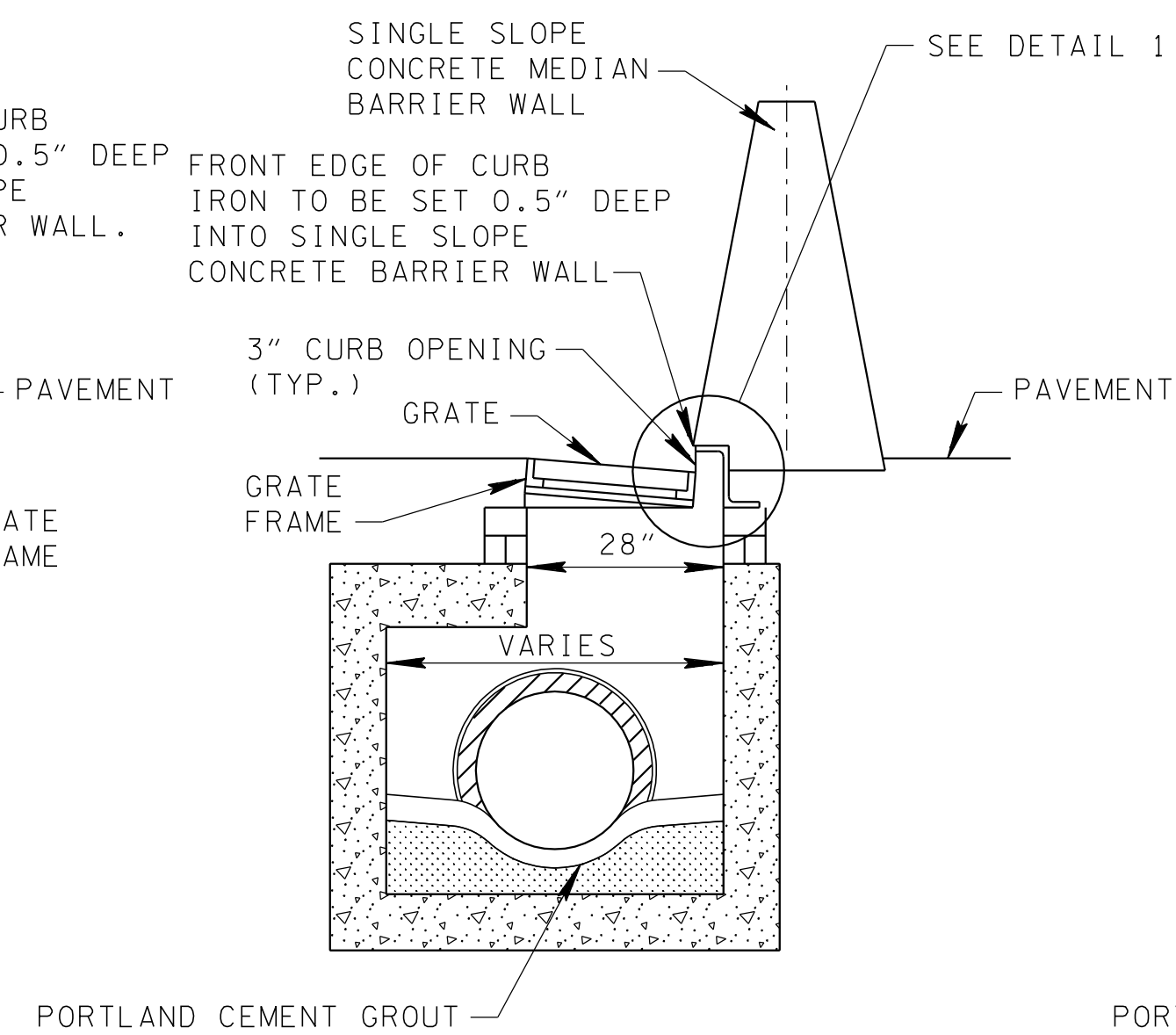
PLAN VIEW
NO. 51 AND NO. 52 CATCH BASINS



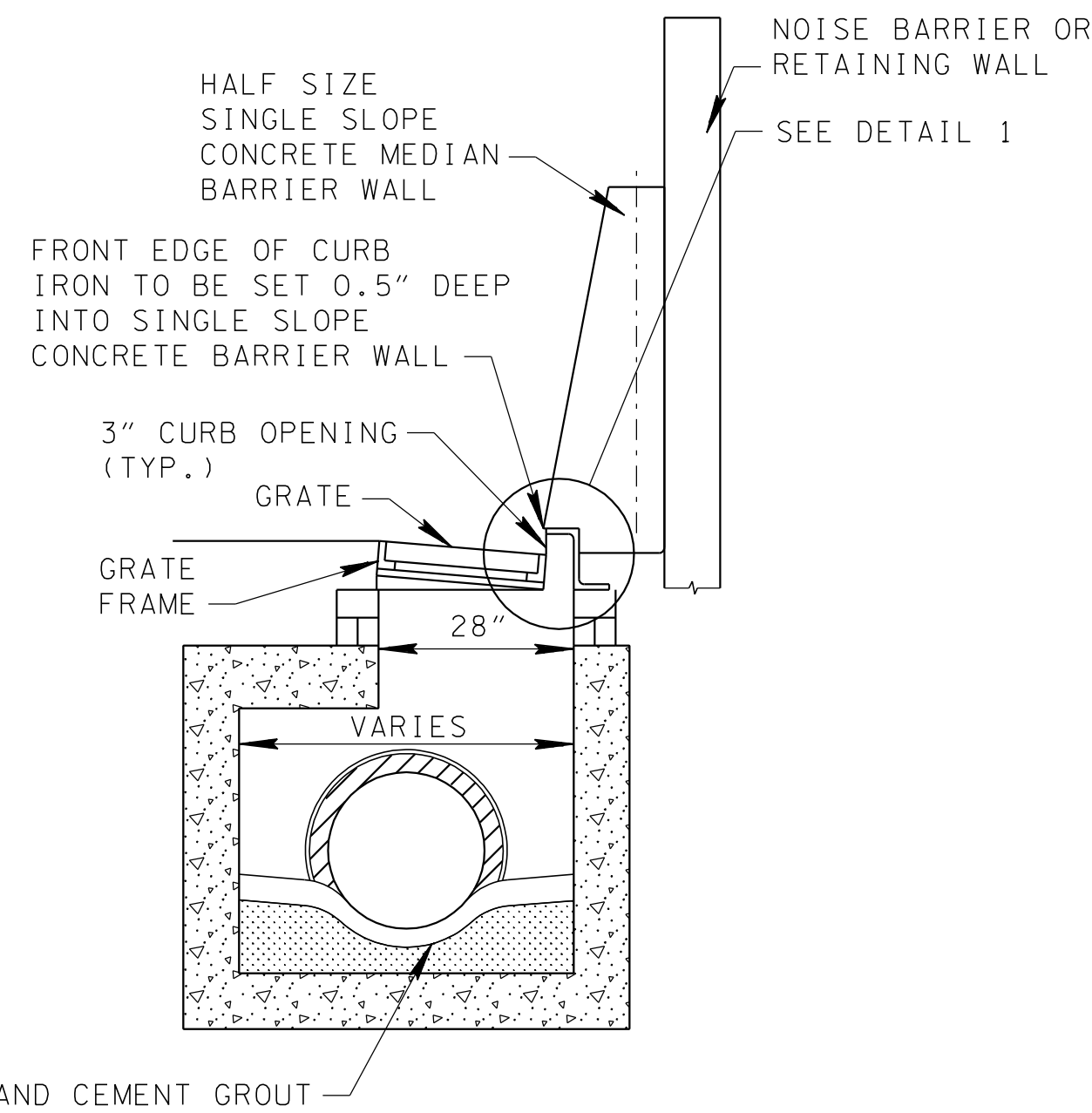
PLAN VIEW
NO. 45S CATCH BASINS



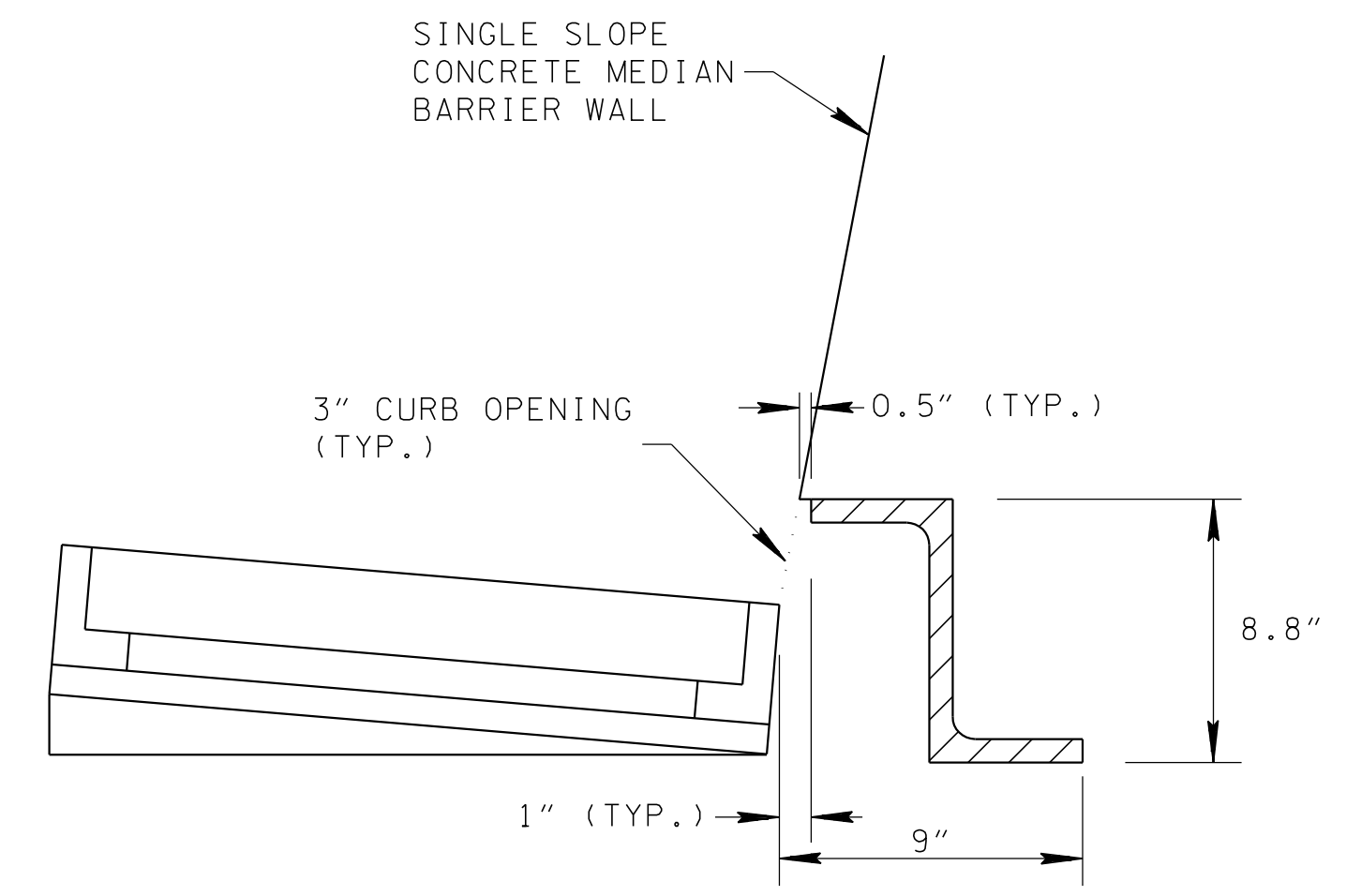
SECTION A-A
NO. 31, NO. 32 AND
NO. 46 CATCH BASINS



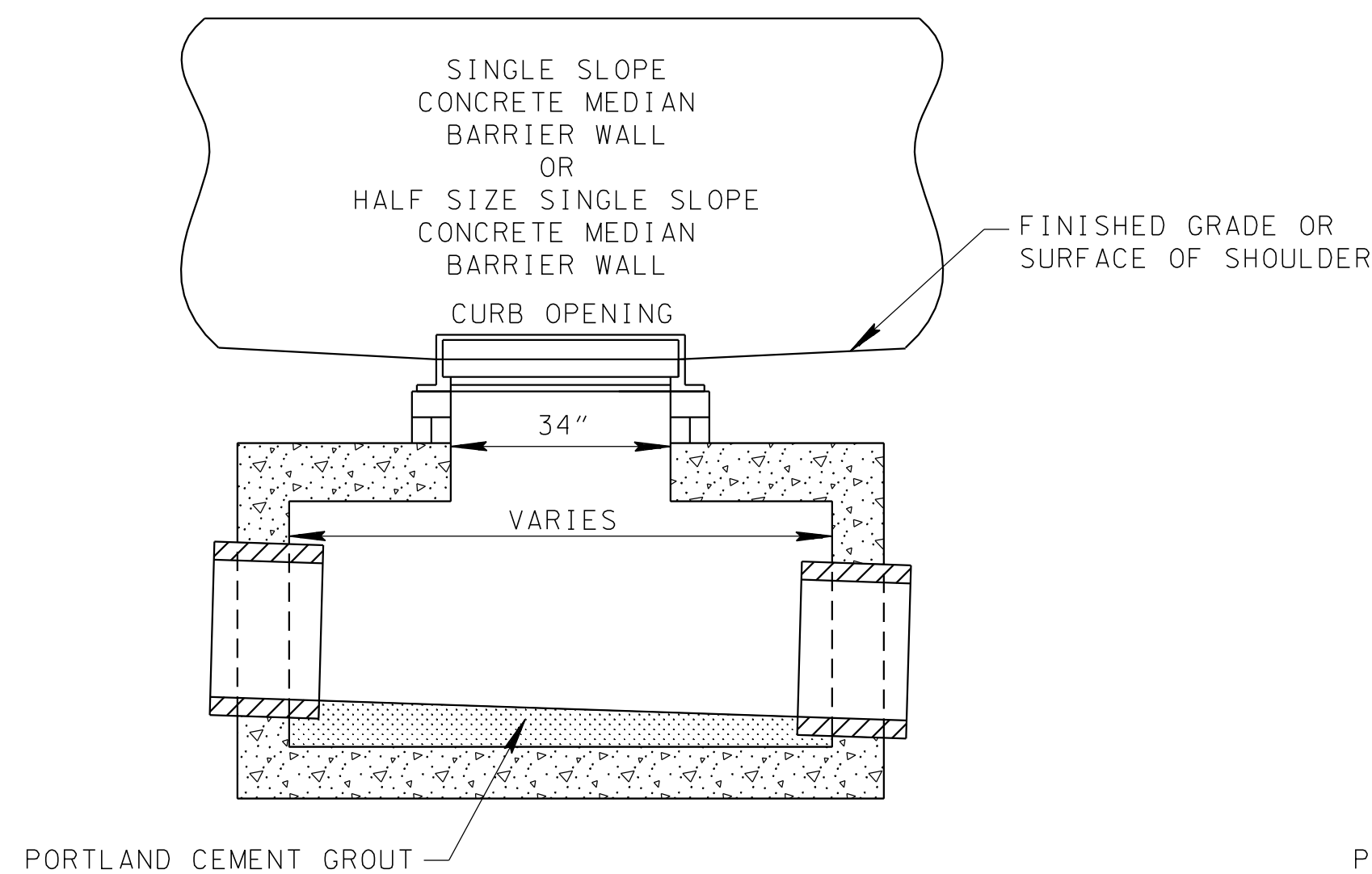
SECTION B-B
NO. 41 AND 45S CATCH BASINS



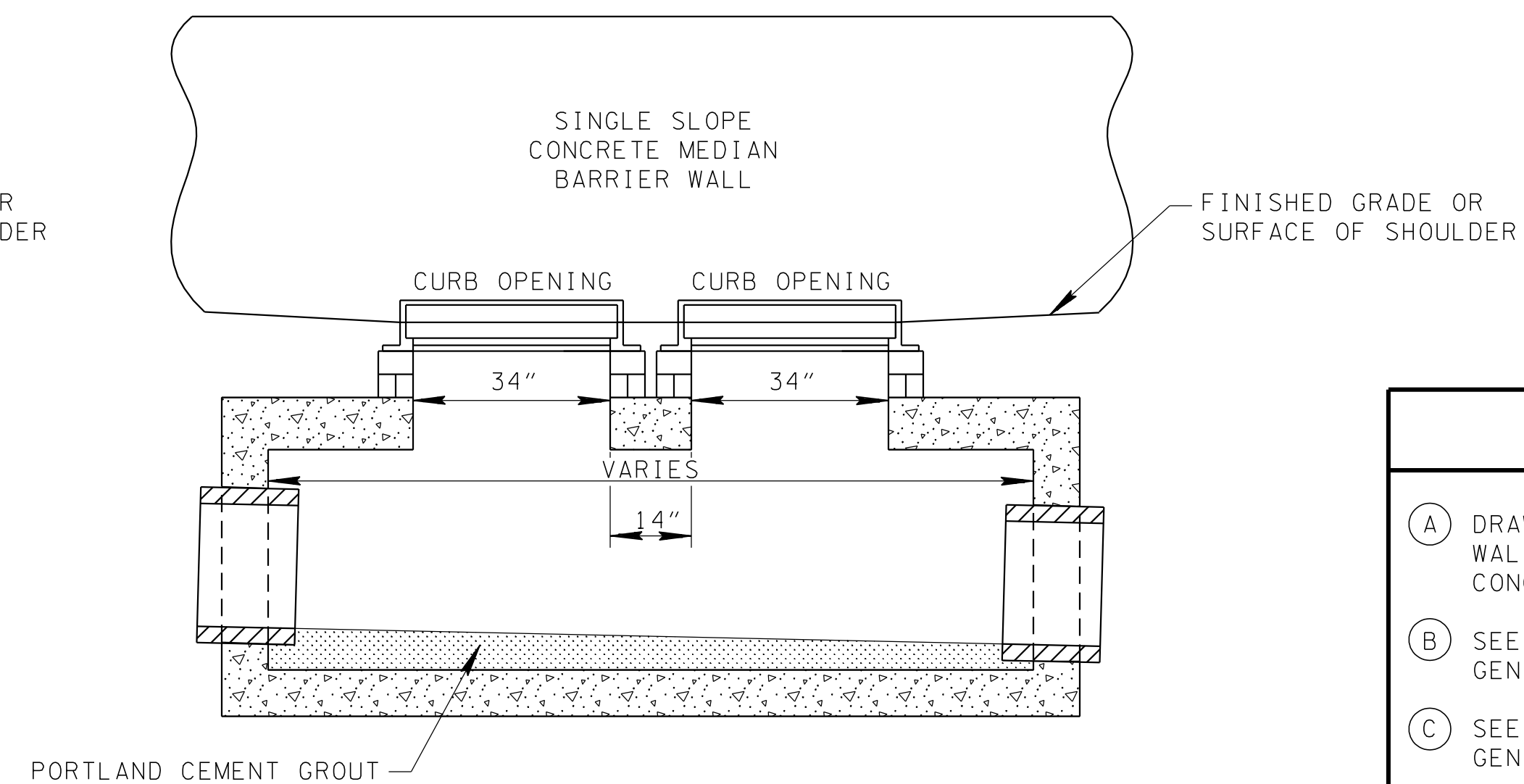
SECTION C-C
NO. 51 AND 52 CATCH BASINS



DETAIL 1



SECTION D-D
NO. 31, NO. 32, NO. 41, NO. 46,
NO. 51, AND NO. 52 CATCH BASINS



SECTION E-E
NO. 45S CATCH BASINS

GENERAL NOTES

- (A) DRAWING TO BE USED FOR SINGLE SLOPE CONCRETE MEDIAN BARRIER WALL WHEN SPECIFYING A NO. 31, 32, 41, 45S, 46, 51, OR 52 CONCRETE CATCH BASINS AND ALL PRECAST NO. 32 CONCRETE CATCH BASINS.
- (B) SEE STANDARD DRAWING S-SSMB-2 FOR ADDITIONAL DETAILS AND GENERAL NOTES REGARDING SINGLE SLOPE CONCRETE BARRIER WALL.
- (C) SEE CATCH BASING STANDARD DRAWINGS FOR ADDITIONAL DETAILS AND GENERAL NOTES REGARDING CATCH BASINS.